

# Delta Antenna

The Delta Antenna is a high performance, omni-directional, broadband antenna that is suited to base-to-base or base-to-mobile communication over short to medium distances.

## KEY FEATURES

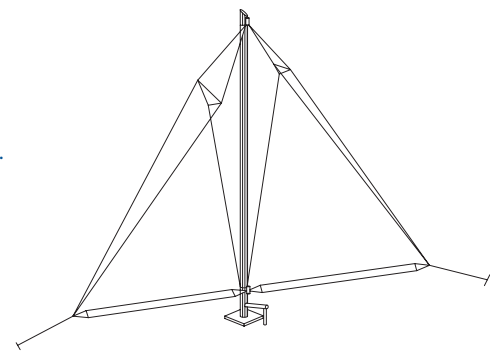
### Performance

The Delta Antenna offers high performance over short to medium distances, and exhibits essentially an omni-directional pattern.

The Delta has been designed to provide continuous coverage throughout its entire frequency range (3–30 MHz) making it an ideal choice for a base station antenna.

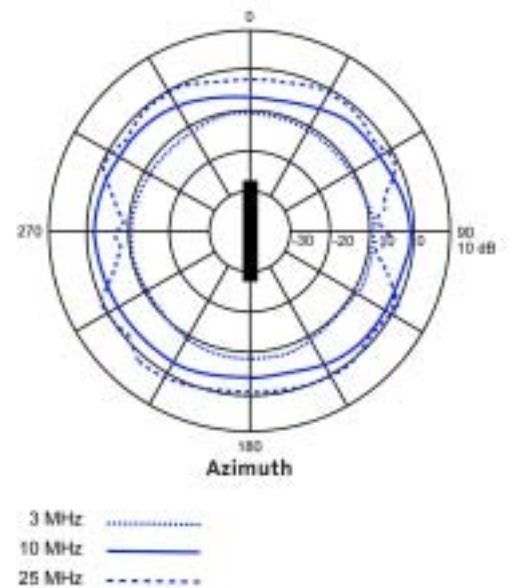
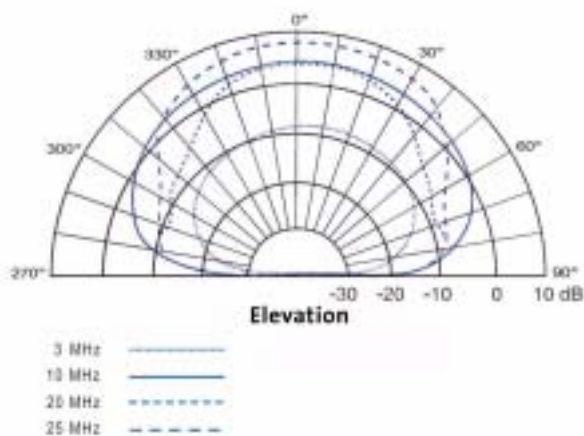
### Easy to install

The Delta Antenna can be supplied with or without a support mast and comes complete ready to install on site. It requires a relatively large cleared area for installation at either ground level or on a flat roof of a building; a ground plane is *not* required. The coaxial cable may be purchased separately.



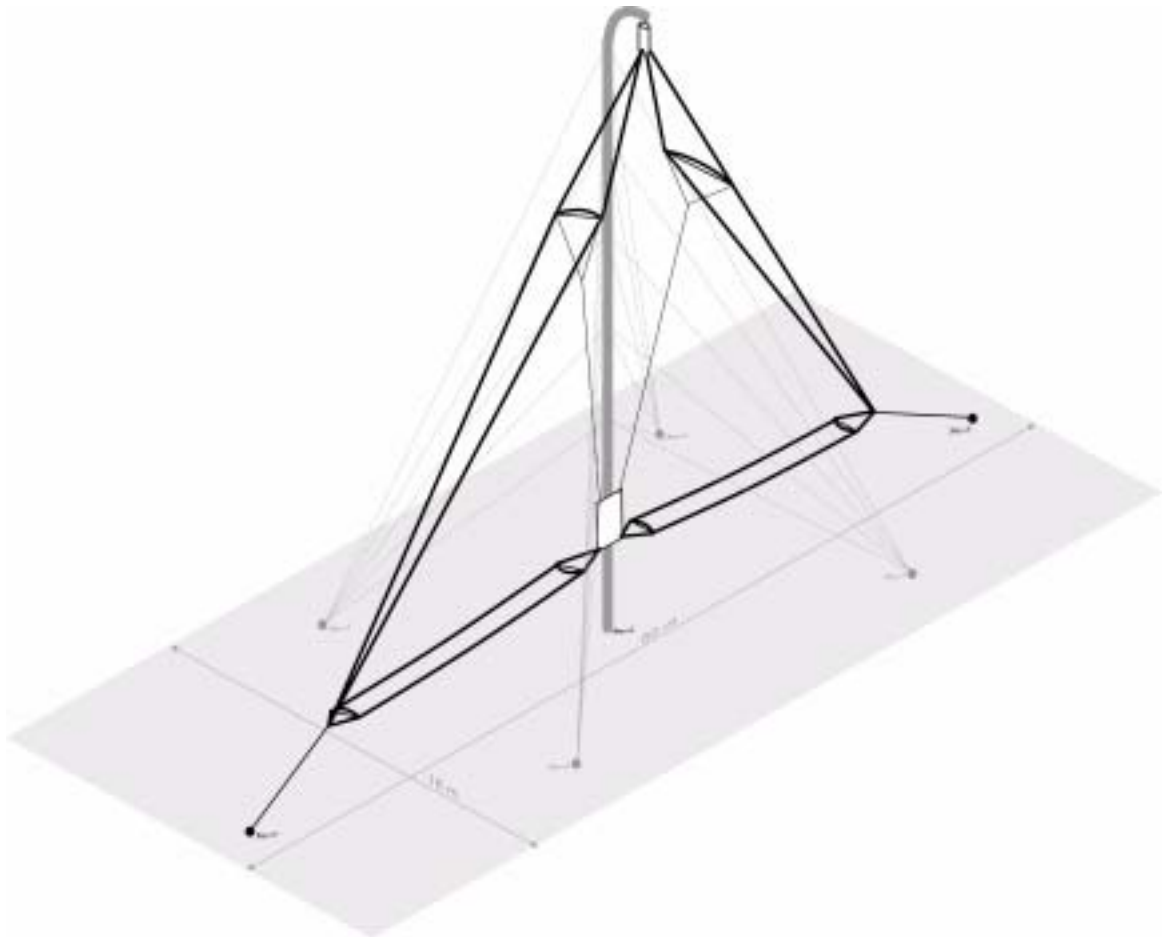
Delta Antenna

## RADIATION PATTERNS



## SPECIFICATIONS

Frequency	3–30 MHz
Impedance	50 $\Omega$ (nominal)
VSWR	Less than 2:1
Power rating	200 W PEP (100 W Avg)
Radiator elements	Marine grade stainless steel
Packed weight	
Antenna <i>only</i>	30 kg
Antenna including mast	222 kg
Carton dimensions	
Antenna <i>only</i> (1 carton)	910 x 285 x 205 mm
Antenna including mast (3 cartons)	960 x 630 x 270 mm
	1110 x 1110 x 390 mm
	4500 x 1570 x 140 mm
Mast height	15 m
Antenna width	46 m
Guy radius	10 m
Overall height	16 m (includes gibbet)
Footprint	50 x 18 m
Wind rating	Up to 180 kph (112 mph) in clear air, subject to mast, footing and anchoring



Dimensions of Delta Antenna

Equipment descriptions and specifications are subject to change without notice or obligation.

### Your Distributor/Dealer:

 Communication Specialists Limited



**Communication Specialists Ltd. Unit 20, Murrell Green Business Park,  
London Road, Hook, Hampshire. RG27 9GR United Kingdom**  
**Tel. +44(0)1256766600 Fax. +44(0)1256766500**  
**www.comm-spec.com info@comm-spec.co.uk**



CODAN

